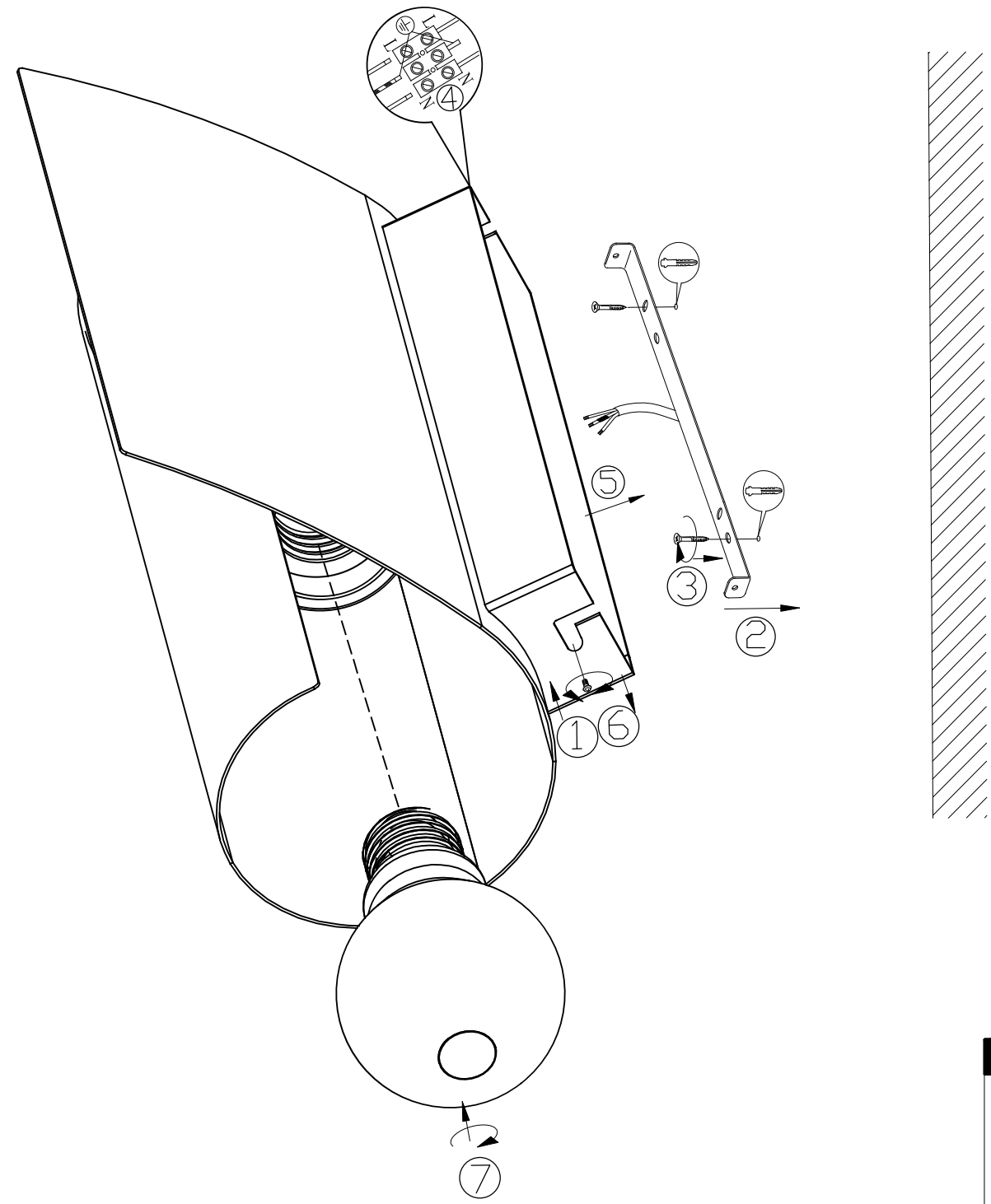
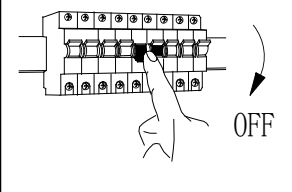
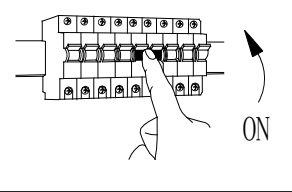


**A****E****C**

BLA98759  
 WWW.Eglo.com